



Rugged Construction

- Rated for class I division II hazardous areas.
- Standard models rated from -29°C to 40°C.
- Low temperature models rated from -40°C to 40°C.
- Heavy duty heater cabinet with 2-coat epoxy paint.
- Insulated Stack

Heater Footprint

- Overall footprint <33% than bath style heaters.
- Less than 33% of the weight of bath style heaters.
Easily retrofitted into existing plants.

Low Thermal Mass

- Bath volume < 10% that of bath style heaters.
- < 25% of the thermal mass of bath style heaters.
- Low off-cycle losses.
- Rapid response time.
- Less glycol volume.

Ease of Access and Maintenance

- Process heating coil, heat exchanger, flame arrestor, and burner can be easily removed for inspection, maintenance, and cleaning.
- The fuel train and controls are easily accessible on the front of the heater cabinet.
- The fuel/air mixers, burner, and ignition systems are easily accessible by removing bolt-on panels.

Controls Package

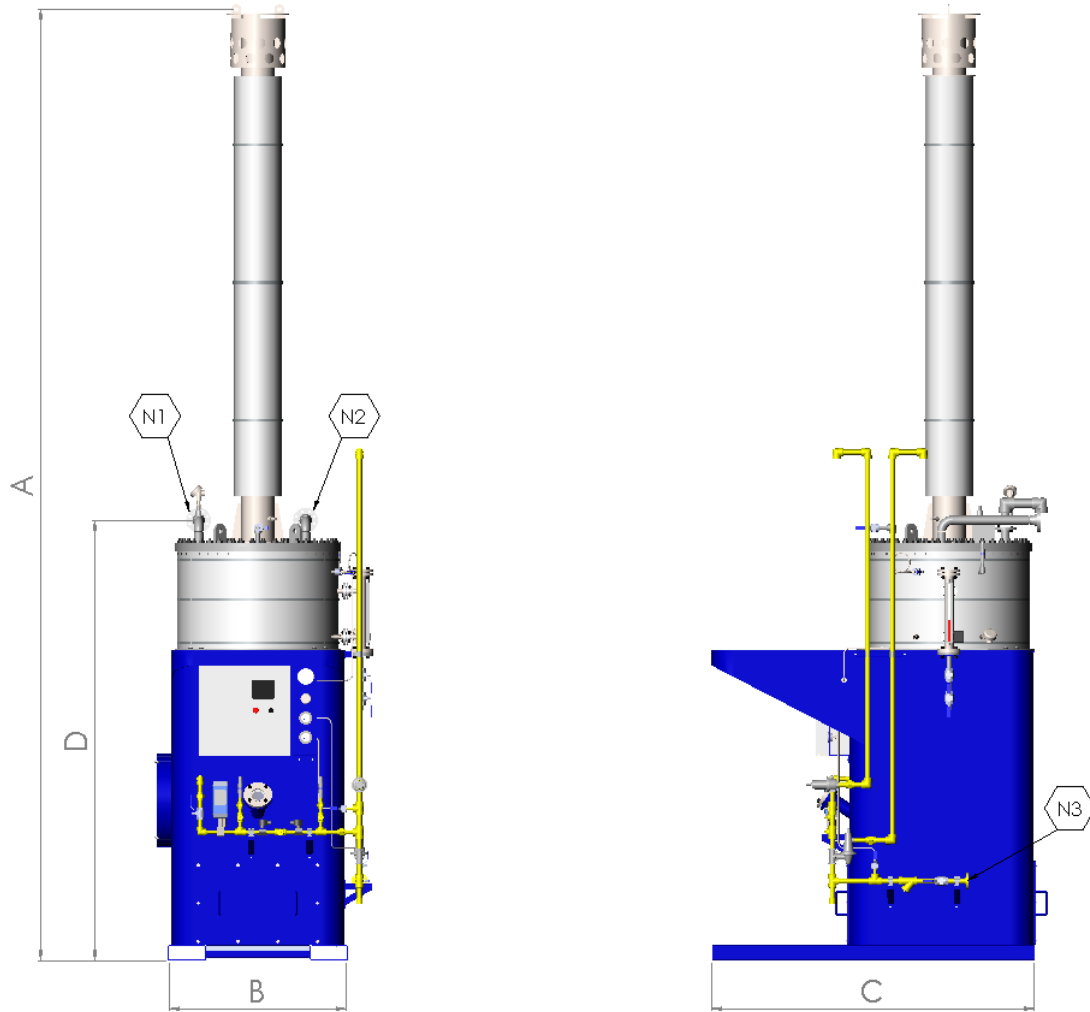
- CSA B149.3 compliant fuel train and BMS
- Direct ignition and flame detection.
- Touchscreen HMI display for simple operation
- 120Vac and 24Vdc models

Ultra-low emissions

- <30ppm (NOx)
- 5ppm (CO & UHC)
- Efficiency 93% (LHV)

High Turn-down ratio

- Modulation of burner firing rate (up to 7:1 turndown)
- Fixed ratio fuel/air mixers with no secondary air for high efficiency at all firing rates.



Description	U750	U1000	U1500	U2500
A Overall Height	250 in	254 in	260 in	272 in
B Width	57 in	64 in	64 in	84 in
C Depth	86 in	90 in	90 in	109 in
D Flange Elevation	115 in	119 in	125 in	139 in
S Nominal Stack Diameter	NPS 8	NPS 12	NPS 12	NPS 12
N1 Process Inlet Connection	NPS2-CL600RFWN	NPS2-CL600RFWN	NPS2-CL600RFWN	NPS4-CL1500RFWN
N2 Process Outlet Connection	NPS2-CL600RFWN	NPS2-CL600RFWN	NPS2-CL600RFWN	NPS4-CL1500RFWN
N3 Fuel Inlet Connection	NPS1-CL150RFTH	NPS1-CL150RFTH	NPS1-CL150RFTH	NPS1-CL150RFTH
Minimum Process Duty	0 MMBtu/hr	750 MMBtu/hr	1000 MMBtu/hr	1500 MMBtu/hr
Maximum Process Duty	750 MMBtu/hr	1000 MMBtu/hr	1500 MMBtu/hr	2500 MMBtu/hr